



High pressure hose 1/2" x 3/8" x 500 mm -

IMO

12 505 970 90



Fits: IMO, LULU, MADISON, MEM, TARA,
CL.1, LISSÉ, VAIA, META, CYO



High pressure hose 1/2" x 3/8" x 500 mm -

IMO

12 505 970 90

NOTE:only for electro-plated finishes.

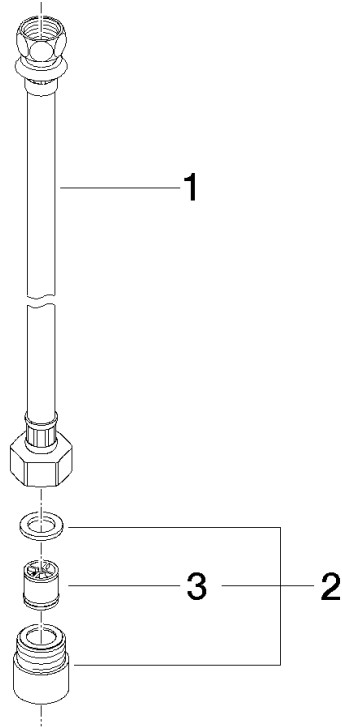


High pressure hose 1/2" x 3/8" x 500 mm -

IMO

12 505 970 90

12 505 970 90



Spare parts list

No.	Item Number	Name	Quantity used	Delivery time
1	12 506 970 90	High pressure hoses -	1	2
2	04 24 03 024 01 90	nipple	1	2
3	90 23 01 040 00 90	back-flow preventer	1	2